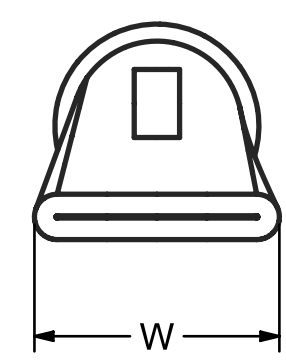
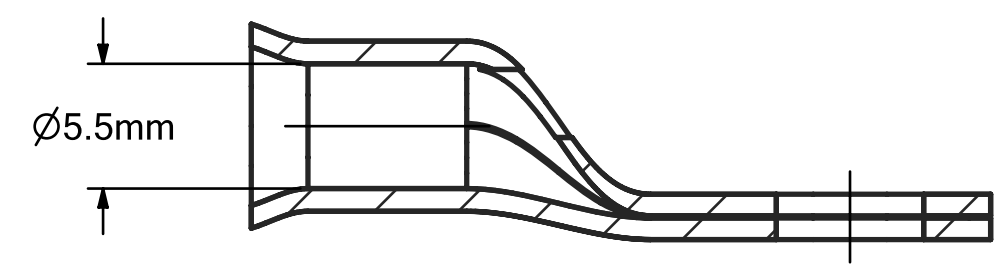
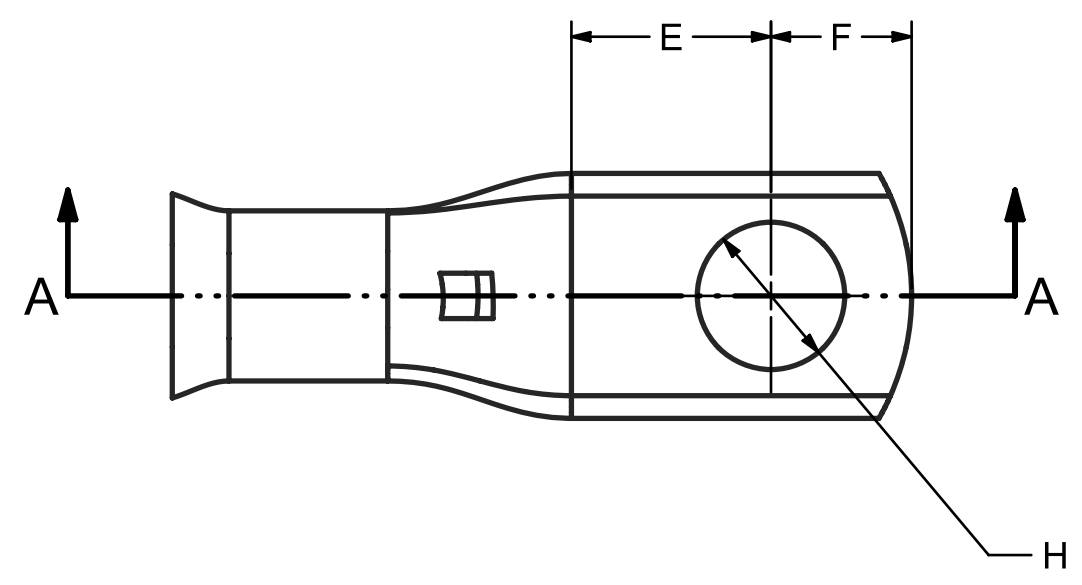


REVISION HISTORY	
1	Original Part
2	Table update



PART NO.	H (mm)	E (mm)	F (mm)	W (mm)
TCSD-16-0	0	N/A	20.5	16.0
TCSD-16-5	5.5	8.8	6.2	10.8
TCSD-16-6	6.5	8.8	6.2	10.8
TCSD-16-8	8.5	8.0	7.0	13.5
TCSD-16-10	10.5	10.9	9.6	15.0
TCSD-16-12	12.5	10.5	10.0	18.0

UOS - LINEAR TOLERANCE PERMISSABLE DEVIATIONS FOR SIZE RANGE:  
Tolerances according to DIN ISO 2768 (V)

DIMS IN MM	0.5 to 3	>3 to 6	>6 to 30	>30 to 120	>120 to 400	>400 to 1000	>1000 to 2000	>2000 to 4000
	-	±0.5	±1.0	±1.5	±2.5	±4.0	±6.0	±8.0

**TOTAL CONNECTIONS 2009**  
 Total Connections 2009 LTD  
[www.tc2009.co.uk](http://www.tc2009.co.uk)  
[sales@tc2009.co.uk](mailto:sales@tc2009.co.uk)  
 Tel 01249 812 707

Drawing No. TCDR1920      Material. CW024A (C106) COPPER  
 Part No. TCSD-16-RANGE      Finish. 5MICRON ELECTRO TIN PLATED

SIZE A3      Date 21/10/2021      Created By: Dan Hewlett      REV 2

SCALE 3:1      SHEET 1 of 1